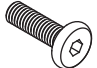
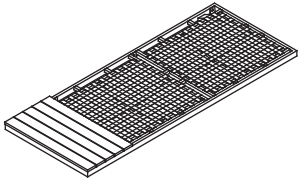
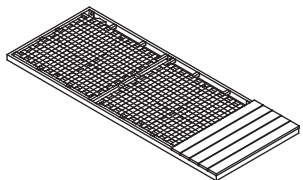
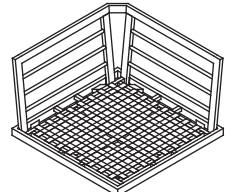
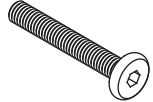

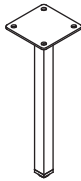
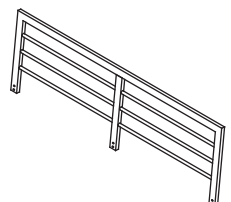

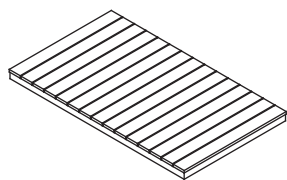
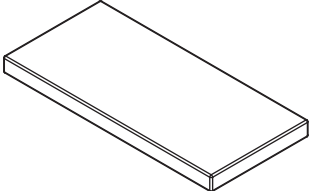
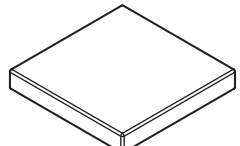
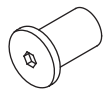
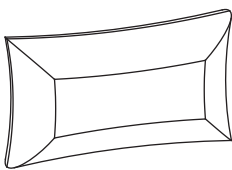
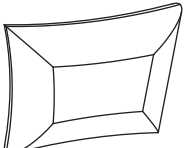


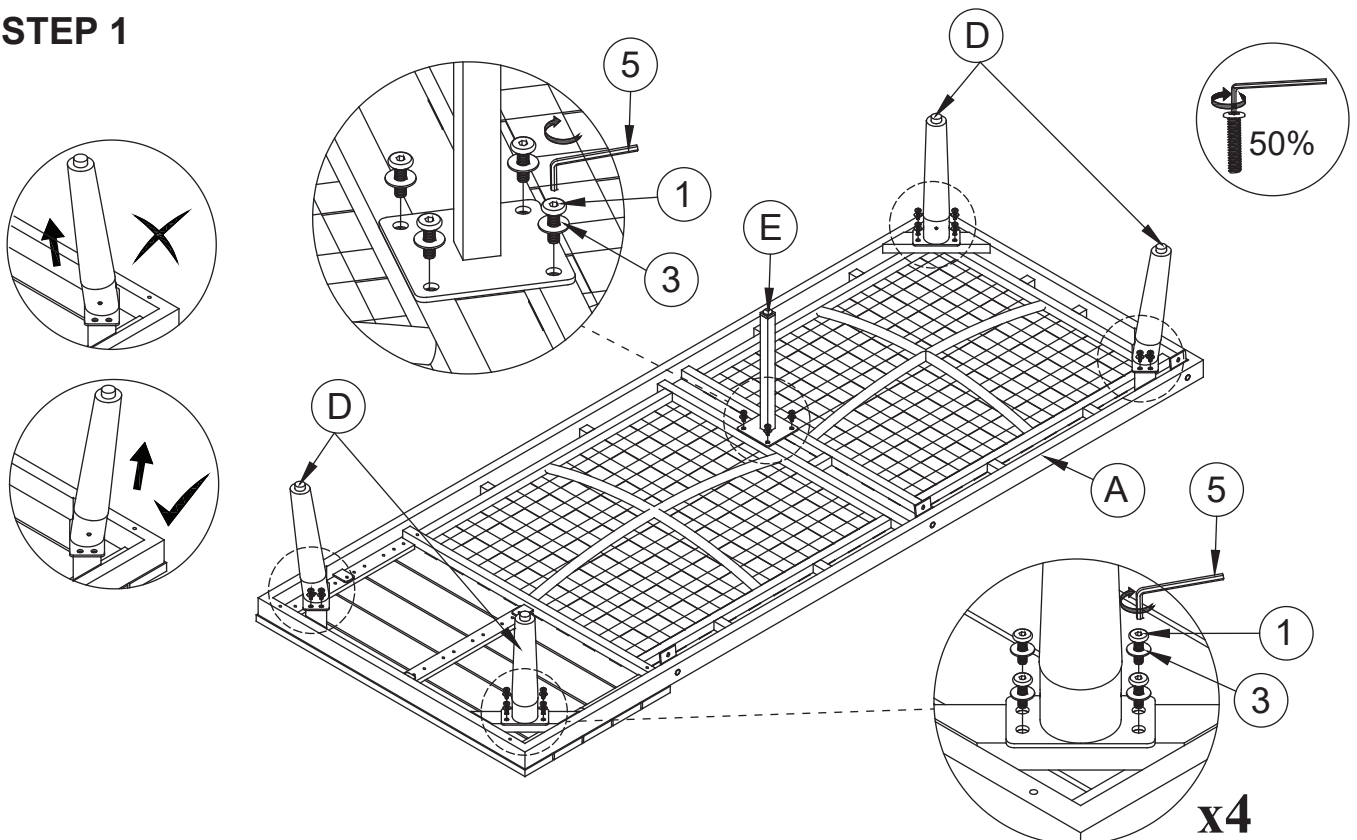


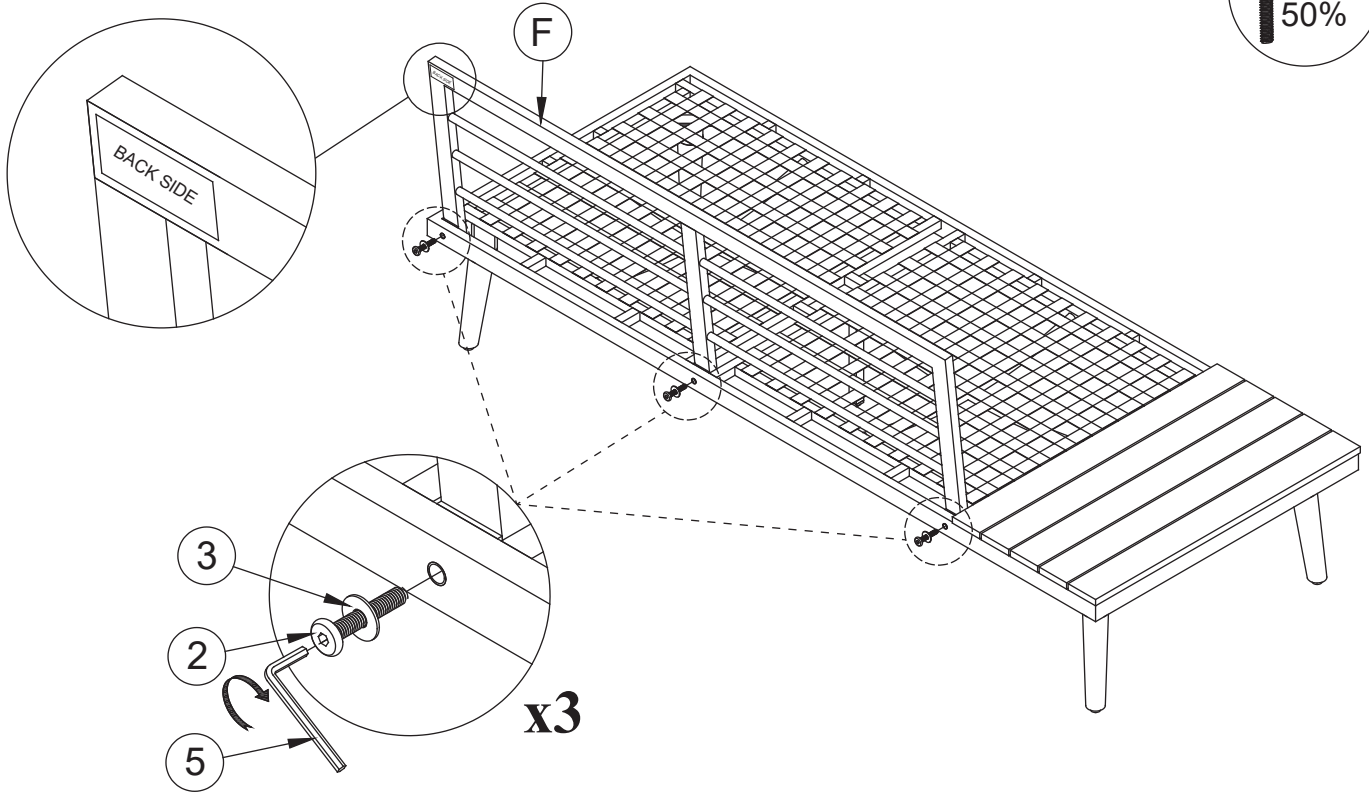
ASSEMBLY INSTRUCTIONS - HENRY

<p>①  x78 M6 x 20</p>	<p> x1</p>	<p> x1</p>	<p> x1</p>
<p>②  x6 M6 x 45</p>	<p> x16</p>	<p> x2</p>	<p> x2</p>
<p>③  x84 M6 x 16 X 1</p>	<p> x1</p>	<p> x2</p>	<p> x1</p>
<p>④  x6 M6</p>	<p> x5</p>	<p> x1</p>	
<p>⑤  x2 M4 x 60</p>			
<p>⑥  x4</p>			

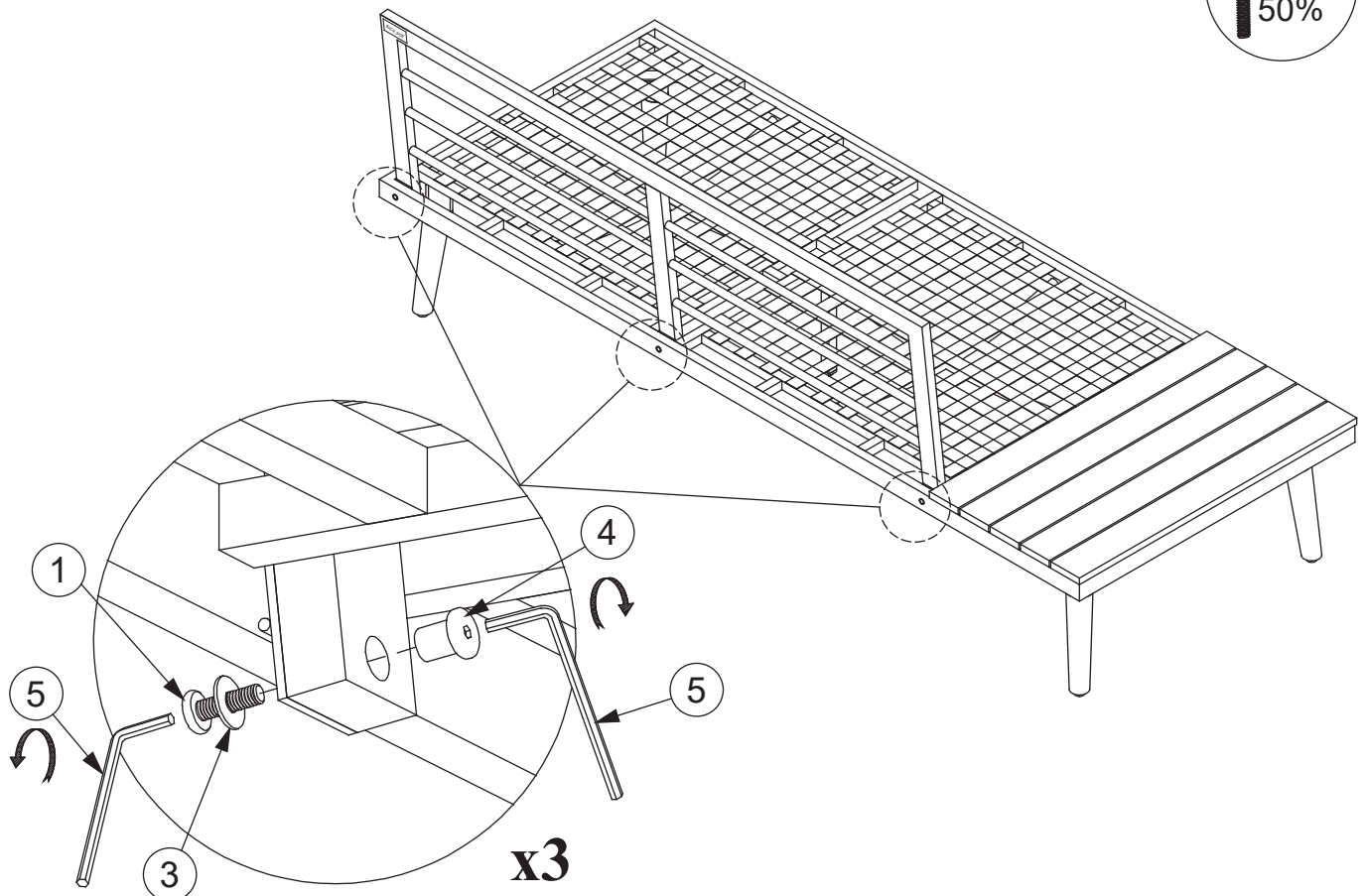
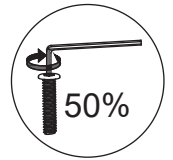
STEP 1



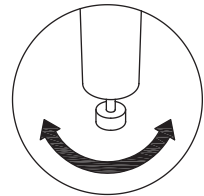
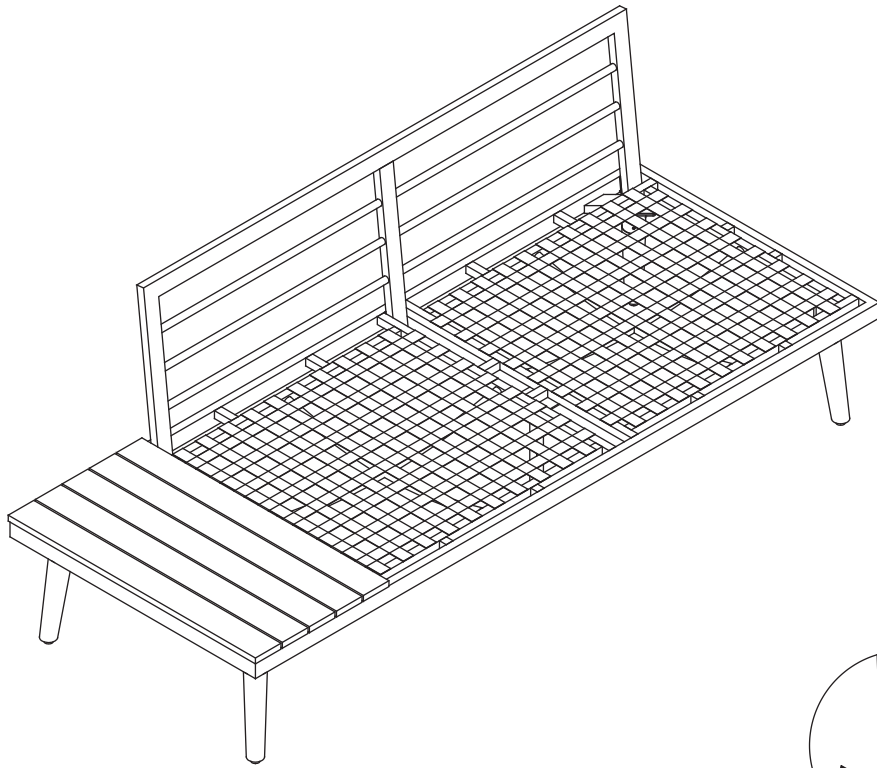
STEP 2



STEP 3

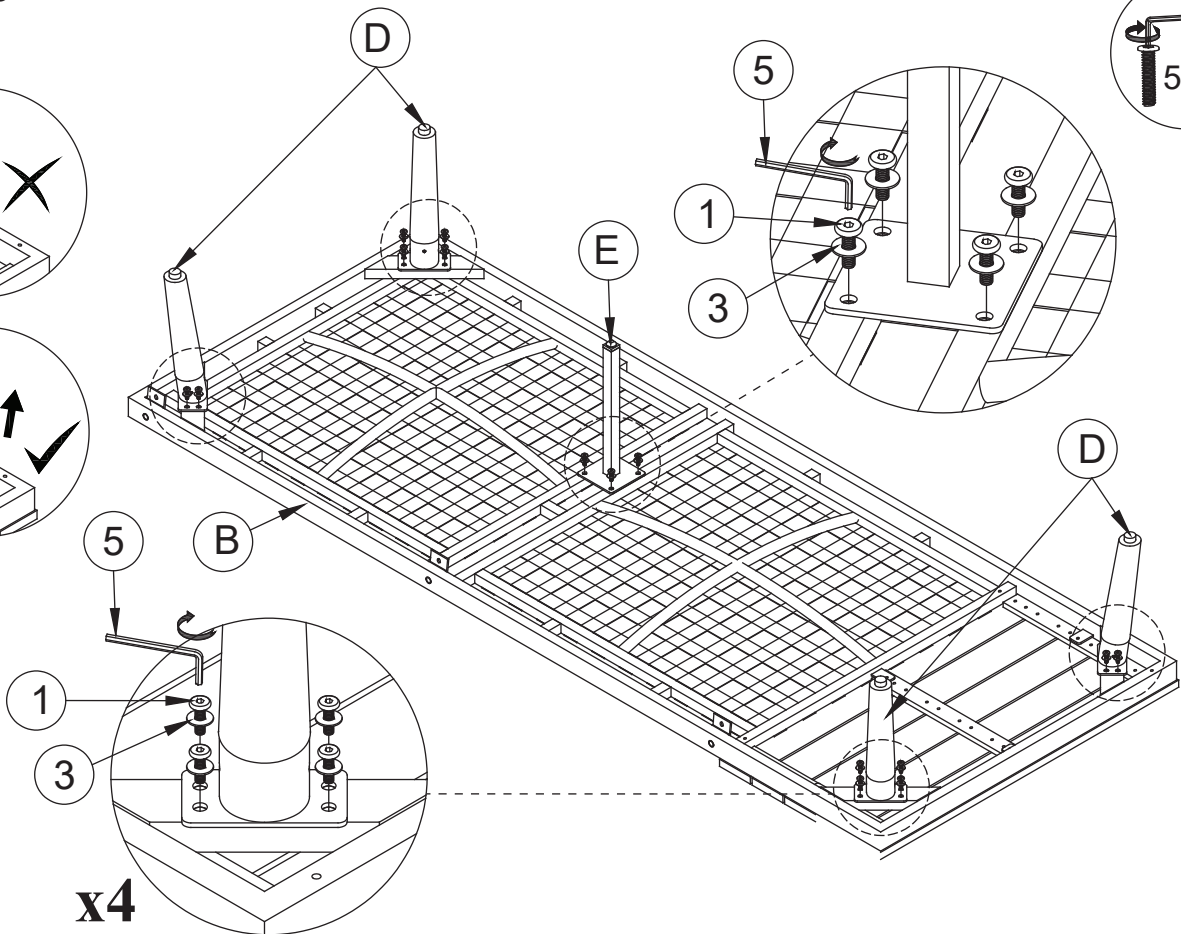
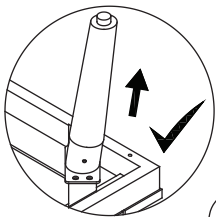
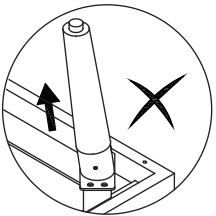


STEP 4

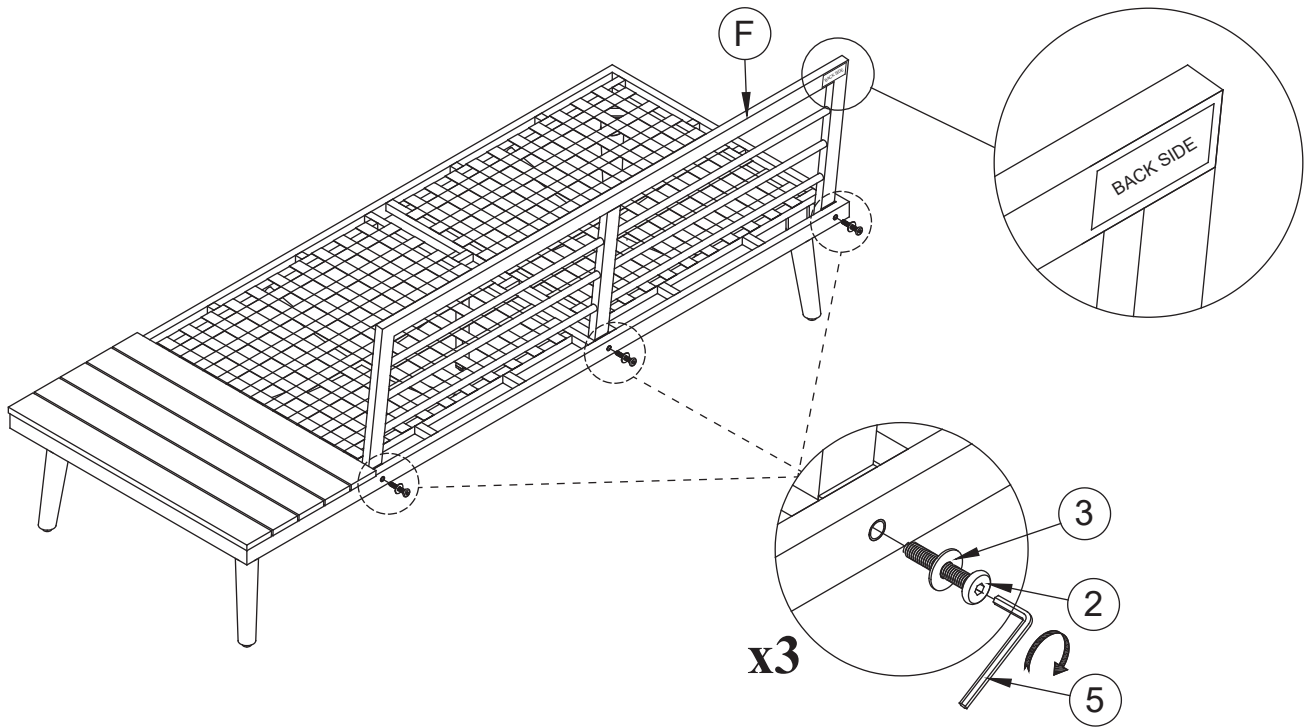


Adjust the feet to stabilize on floor.

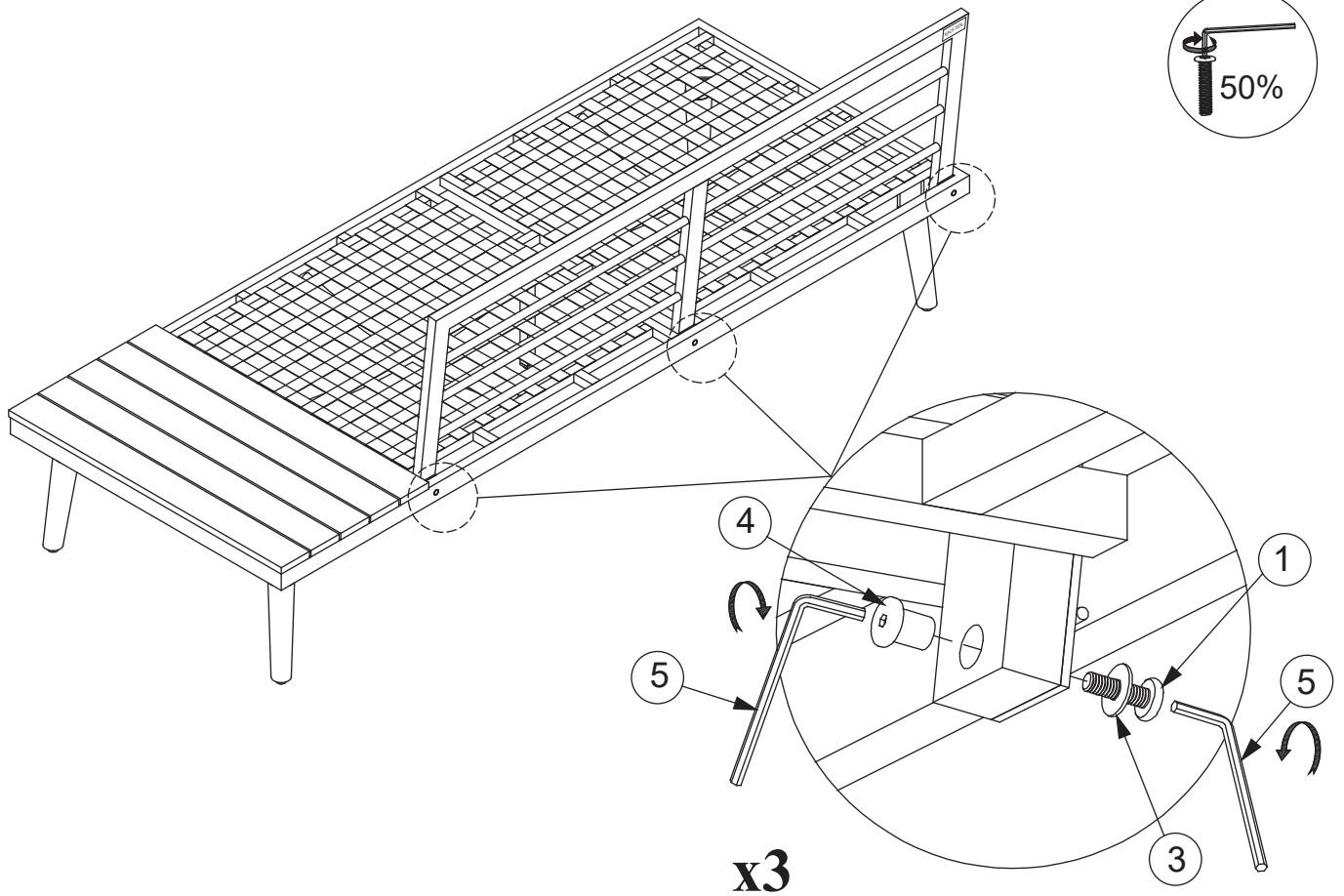
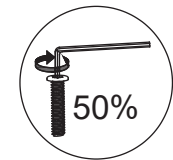
STEP 5



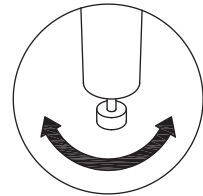
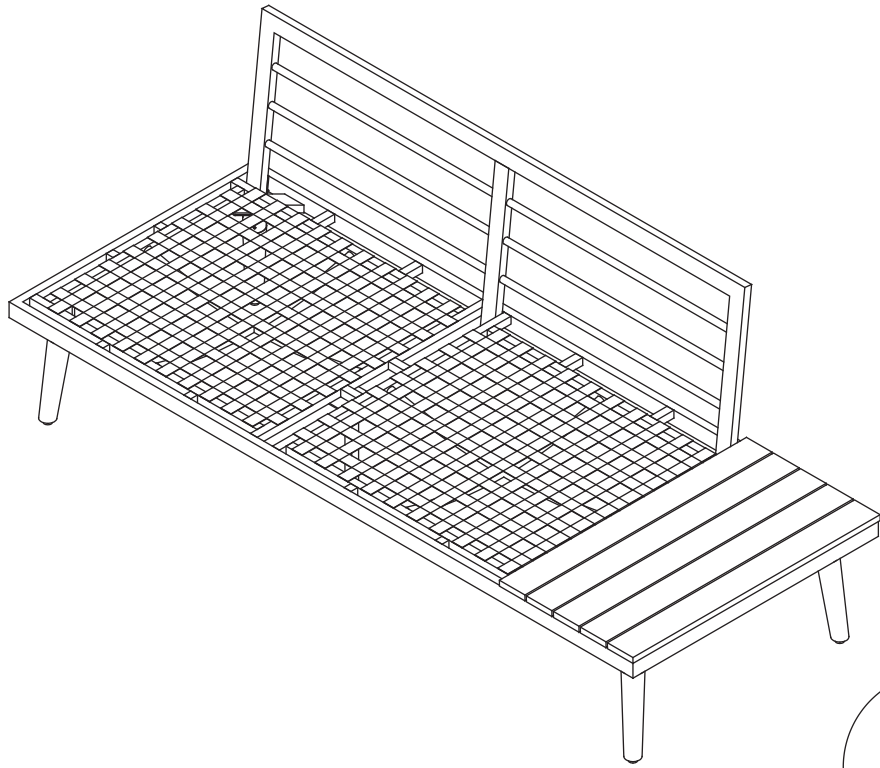
STEP 6



STEP 7

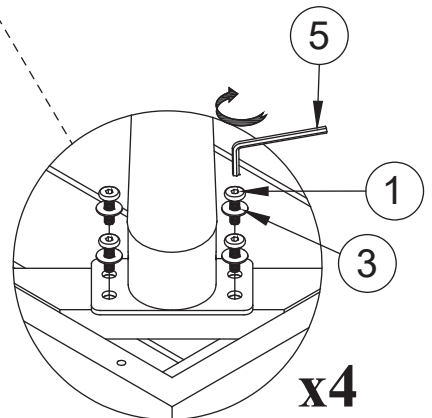
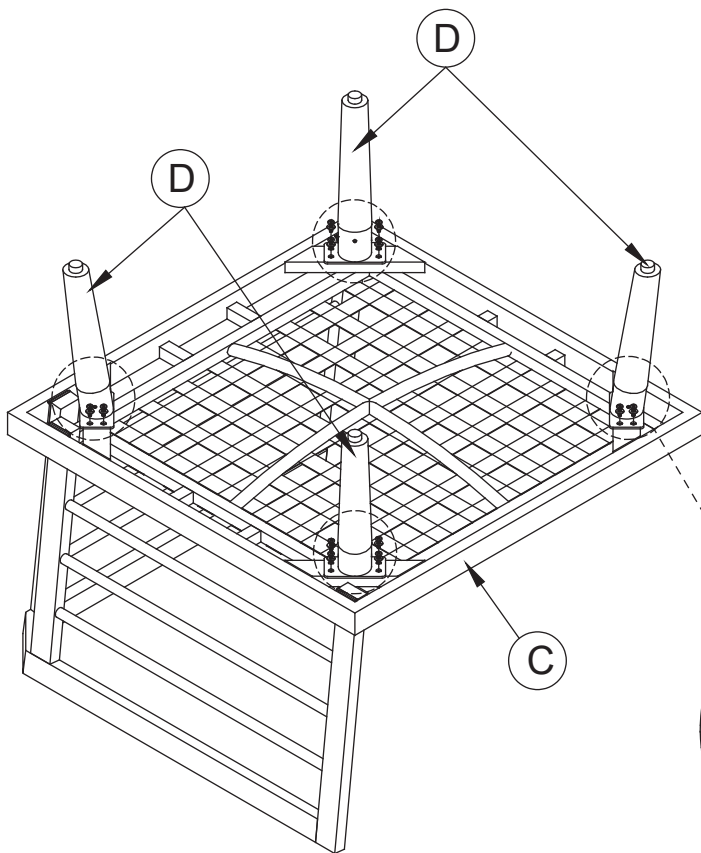
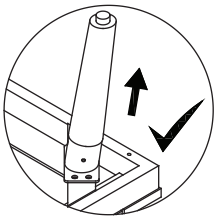
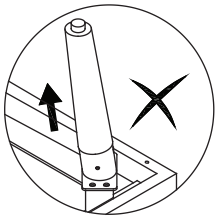
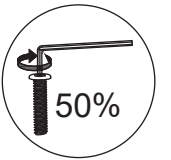


STEP 8



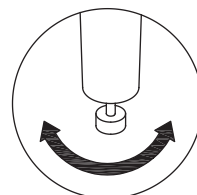
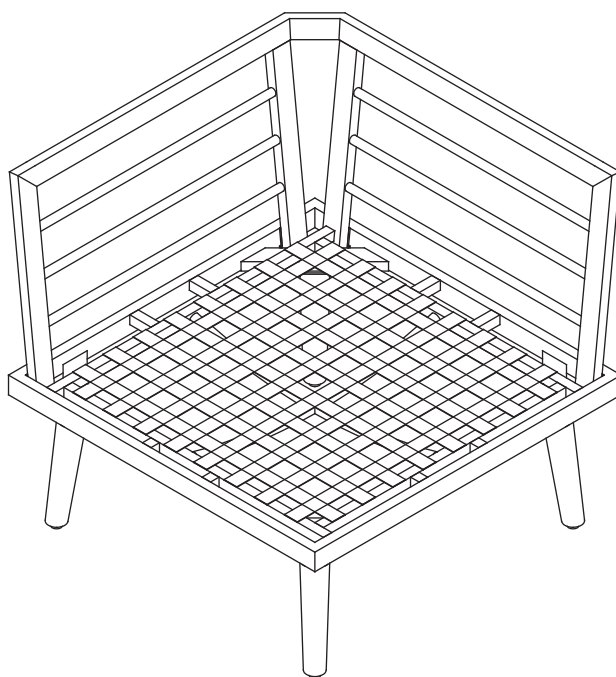
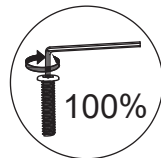
Adjust the feet to stabilize on floor.

STEP 9



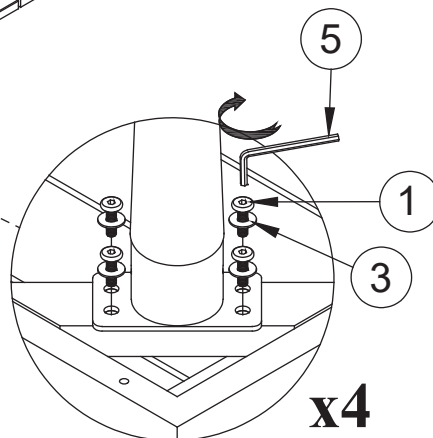
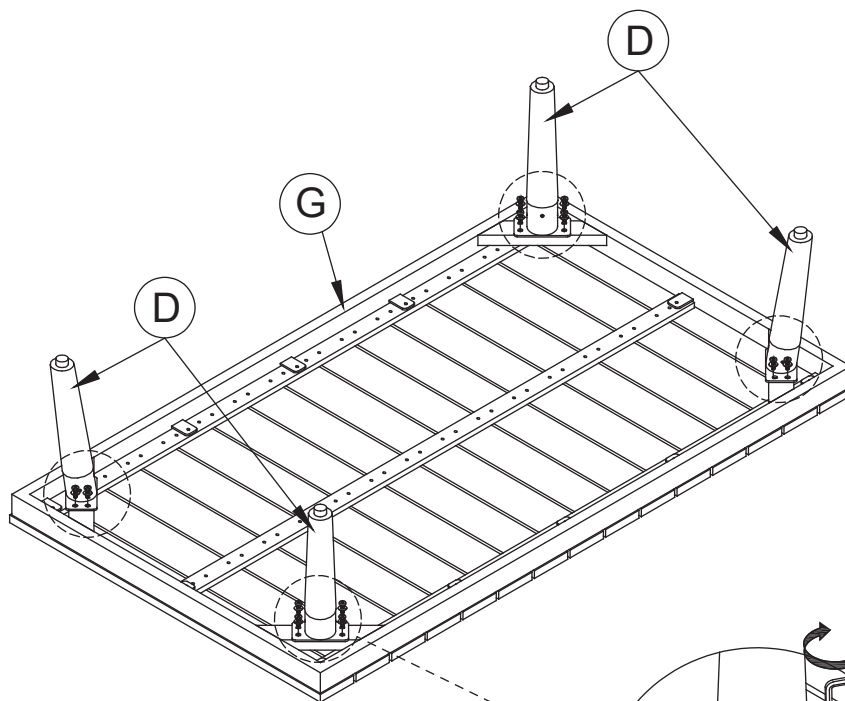
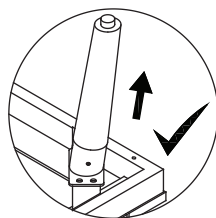
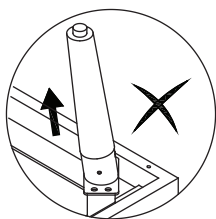
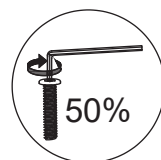
x4

STEP 10

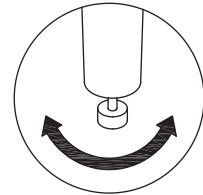
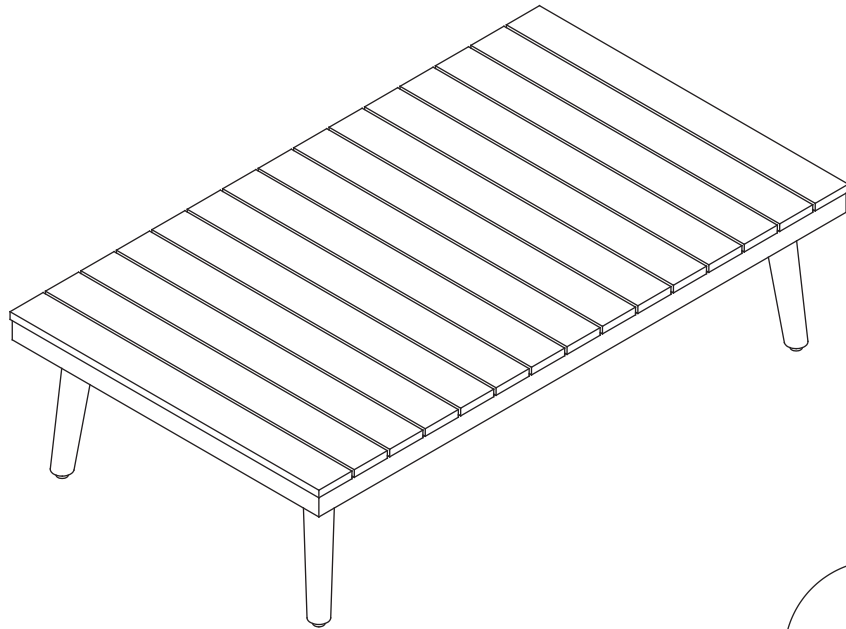


Adjust the feet to stabilize on floor.

STEP 11

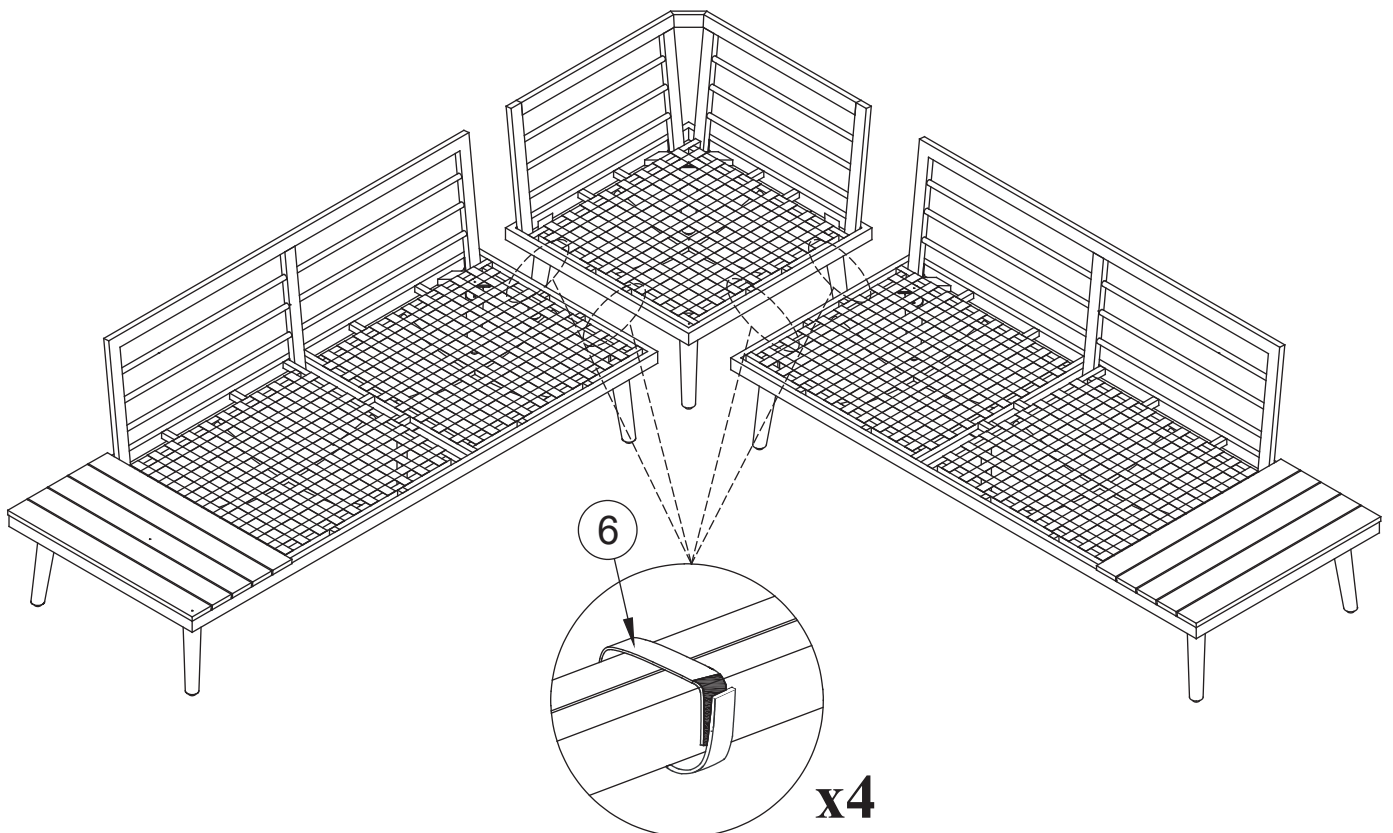


STEP 12

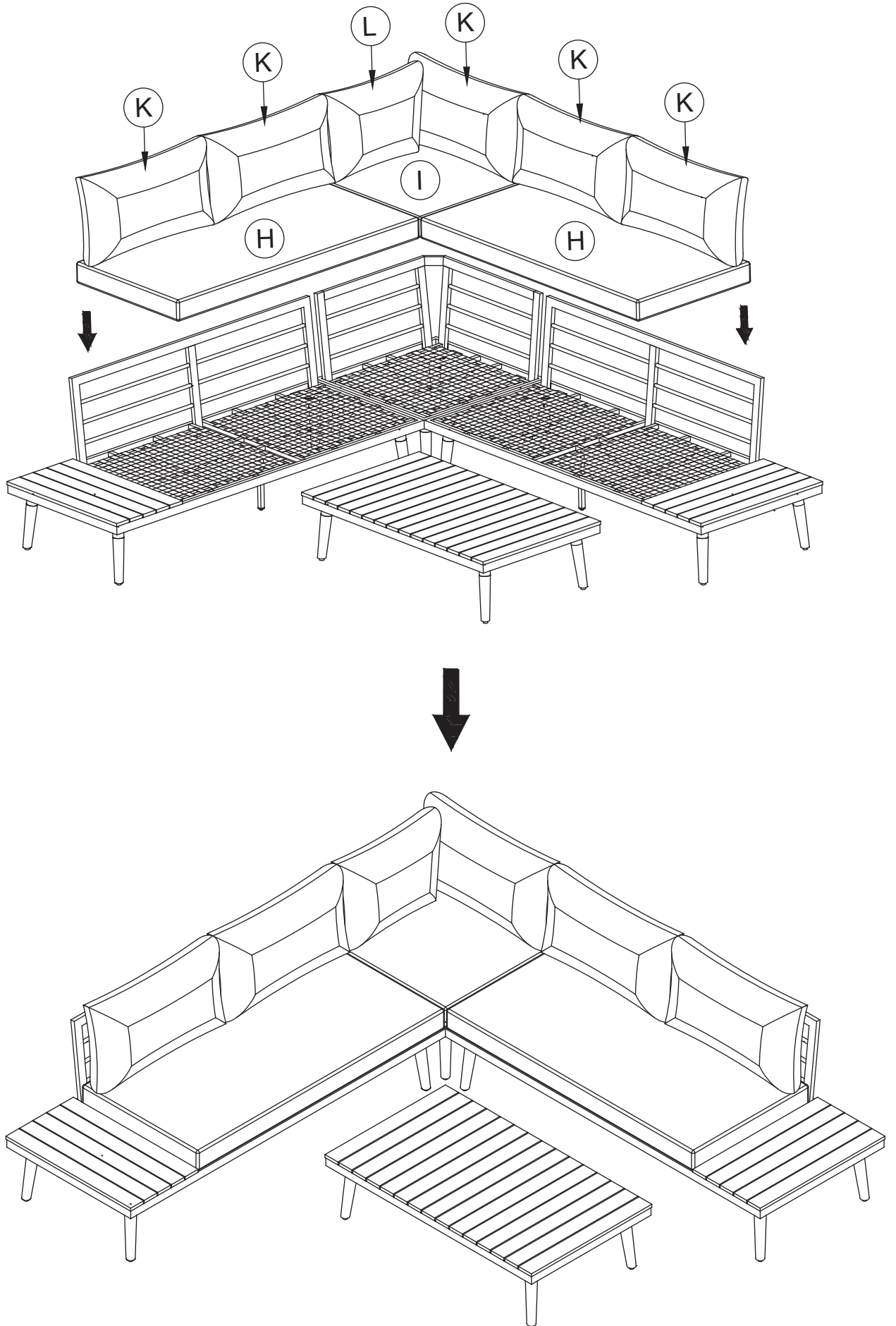


Adjust the feet to stabilize on floor.

STEP 13



STEP 14



IMPORTANT, RETAIN FOR FUTURE REFERENCE: READ CAREFULLY

WARNINGS

- Dispose of all packing carefully and responsibly.
- Place product on an even surface prior to using.
- Suitable for Domestic Garden use only.
- Children should not be left alone in situ with product, please refrain children climbing onto the product.
- Frequently check any damage to the product including the underside and tighten fixings where required.
- In order to prolong the life of your product, we recommend it be stored in a dry and protected area during off season periods. Should not be placed in direct sunlight heat sources. After a rain or snowfall, wipe off excess water or snow from flat surfaces. Allow air to circulate to avoid condensation.
- Do not use a pressure washer to clean your product.
- To make sure your outdoor furniture stays beautiful, we recommend protecting it with a waterproof cover & Ventilation. If it is left in sunlight without covering, it will begin to fade in colour. Please make sure to remove all debris / dirt before covering.
- We recommend using appropriate furniture covers for items when not in use; furniture cushions and covers should be clean and dry before covering. When possible, cushions should be removed before covering the frames for longer than a few days to avoid mold and mildew build-up. If cushions get wet, tip them on their sides with the zipper facing down and unzipped to ensure that all water drains.

Self Assembly Items

- Check you have all the components and tools listed before assembly.
- Remove all fittings from the plastic bags and separate them into their groups.
- Keep children and animals away from the work area, small parts could choke if swallowed.
- Make sure you have enough space to layout the parts before starting.
- Do not stand or put weight on the parts during assembly, this could cause damage.
- Assemble on a soft level surface to avoid damaging the unit or your floor.

Tables

- Do not sit or stand on the table.
- To prevent scratches, avoid sharp objects on surface and do not place hot items directly onto the surface.
- Avoid “ring marks” and scratches by using coasters, mats or runners.

Chairs

- Do not stand on the seating.

Sun loungers

- Only one person to use lounge at any given time.
- Ensure there are no persons sitting on lounge whilst adjusting back height.

Sofas

- Do not sit on arm or back rest ledges.

CARE/CLEANING

General

- Do not use any abrasive substances which may scratch the surface.
- Remove all debris / dirt with soft bristle brush / cloth, use a clean cloth to wipe clean any problem areas. For thorough cleaning, use a mild soap and warm water, apply with a micro fibre cloth (no abrasive materials), wipe clean and let dry.

Timber

- Give your hardwood furniture a yearly scrub with soapy water, followed by a thorough rinse. This removes algae and pollution to restore the timber's surface, keeping it in good condition.
- To preserve the appearance of your timber, we recommend using a Hardwood Garden Furniture oil periodically.

Metal/Rattan

- Use a clean soapy damp cloth and wipe down the surfaces – leave to fully dry before storing.
- Do not use any abrasive substances which may scratch the surface.

Cushions

- Sponge clean cushions only, For stubborn stains commercial available fabric cleaners are available please review application instructions and test on an inconspicuous area on product before using on your cushions.

- If an accidental spillage occurs blot clean spills immediately.

Rope

- Wash with water and gentle soap to keep it clean by a blot clean method – do not rub.
- If an accidental spillage occurs blot clean spills immediately.
- For spot cleaning: Brush off any dirt or debris with a soft bristle brush or spray off with a hose.
- For a deeper cleaning: Mix warm water with a mild soap and clean with a soft bristle brush.
- We recommend to not clean rope with a strong cleaning agent or an abrasive material since it may discolor or damage the surface.
- Rinse with water and dry with a soft cloth.