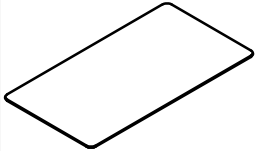

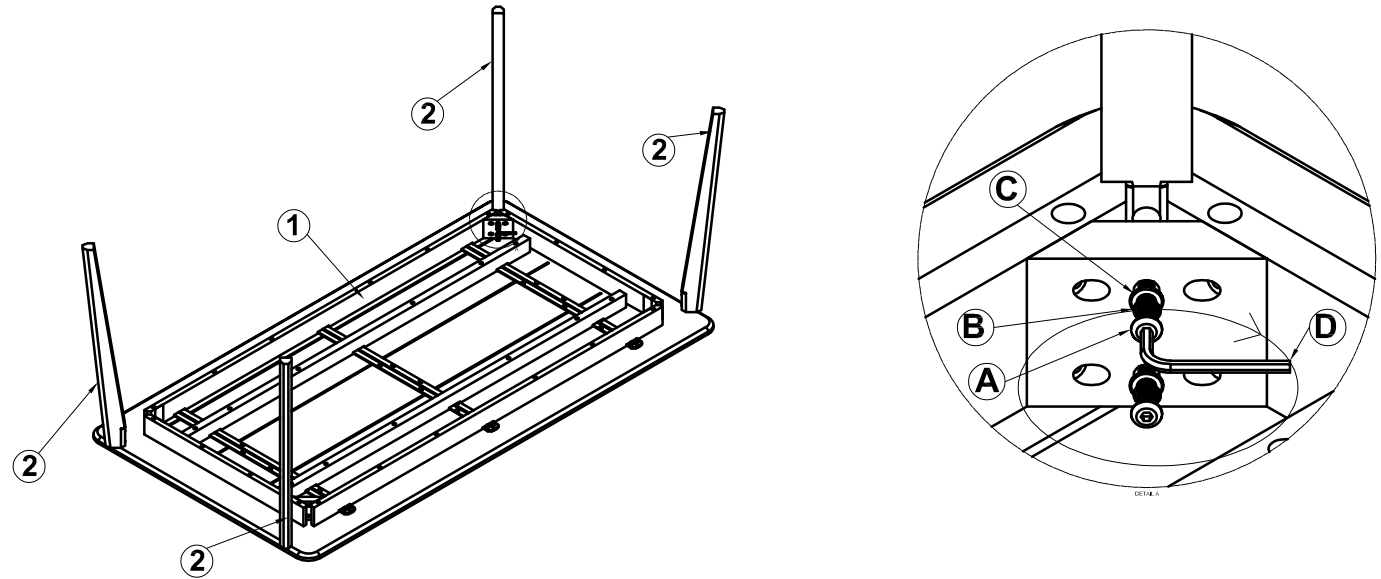


ASSEMBLY INSTRUCTION MAISON - ELB5734 DINING TABLE 1800

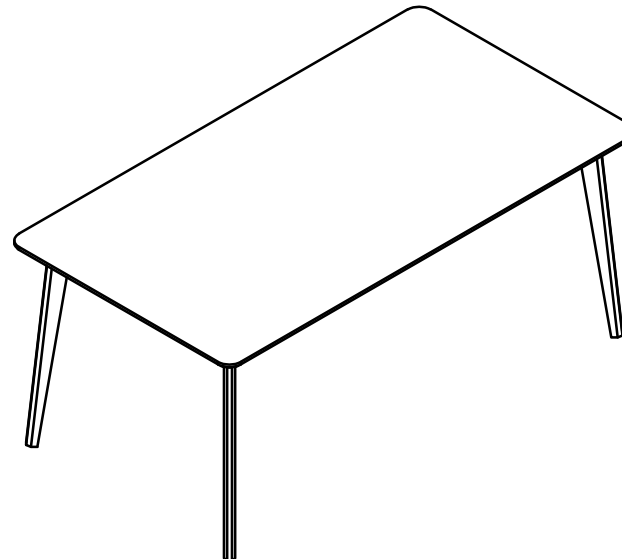
PARTS LIST

NO	DRAWING	DESCRIPTION	QTY
①		TOP	1
②		LEGS	4





STEP 1



STEP 2



HARDWARE LIST

NO	DRAWING	DESCRIPTION	QTY
Ⓐ		BOLT (M8 x 70mm)	8
Ⓑ		SPRING WASHER (Ø8)	8
Ⓒ		FLAT WASHER (Ø8x19mm)	8
Ⓓ		ALLEN KEY (40x60mm)	1